



US00D781176S

(12) **United States Design Patent**
Fildan et al.

(10) **Patent No.:** **US D781,176 S**
(45) **Date of Patent:** **** Mar. 14, 2017**

- (54) **GARMENT CLOSURE**
- (71) Applicants: **Gerhard Fildan**, Vienna (AT); **Karl Wanzenböck**, Teesdorf (AT)
- (72) Inventors: **Gerhard Fildan**, Vienna (AT); **Karl Wanzenböck**, Teesdorf (AT)
- (73) Assignee: **Dubrosky & Tracy Patent Service Corp.**, Central (HK)
- (**) Term: **15 Years**
- (21) Appl. No.: **29/567,572**
- (22) Filed: **Jun. 10, 2016**
- (51) **LOC (10) Cl.** **02-07**
- (52) **U.S. Cl.**
USPC **D11/216**
- (58) **Field of Classification Search**
USPC D11/200–219; 24/163 R, 169–171, 173,
24/177–179, 191, 194–195, 197, 200,
24/614–616, 625, 198, 578.11, 578.1,
24/163 K, 114, 303, 662, 664, 652
CPC A44B 11/26; A44B 11/25; A44B 11/06;
A44B 11/266; A44C 5/00
See application file for complete search history.

- 4,161,806 A * 7/1979 Hennisse A41F 1/006
24/586.11
- D352,678 S * 11/1994 Fildan D11/212
- 6,292,985 B1 * 9/2001 Grunberger A44B 11/2592
24/303
- D475,653 S * 6/2003 Fildan D11/216
- D475,946 S * 6/2003 Fildan D11/216
- D715,184 S * 10/2014 McElroy D11/200
- D732,423 S * 6/2015 Fildan D11/218
- D740,168 S * 10/2015 Fildan D11/218

* cited by examiner

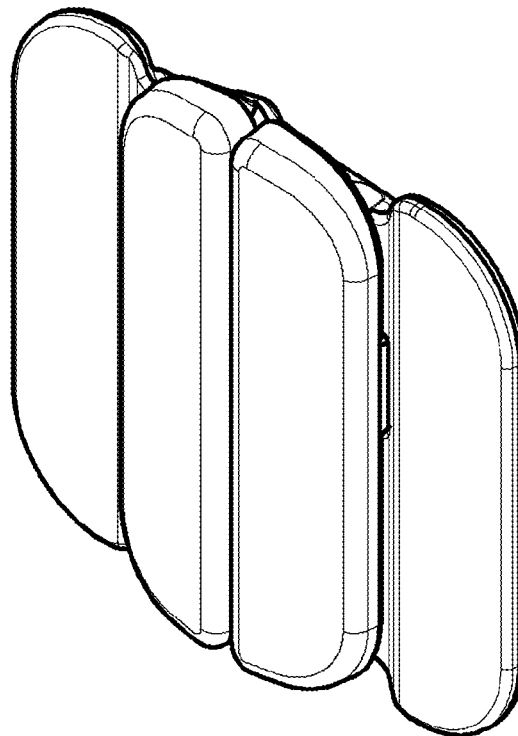
Primary Examiner — Ralf Seifert
(74) *Attorney, Agent, or Firm* — Kintner IP, LLC; Mary Frances Ludwig

(57) **CLAIM**
The ornamental design for a garment closure, as shown and described.

DESCRIPTION
FIG. 1 is a front perspective view of a garment closure showing our new design;
FIG. 2 is a front elevation view thereof;
FIG. 3 is a rear elevation view thereof;
FIG. 4 is a top plan view thereof;
FIG. 5 is a bottom plan view thereof; and,
FIG. 6 is a rear perspective view thereof.
Our garment closure is intended for use with lingerie, brassieres, and the like.

- (56) **References Cited**
U.S. PATENT DOCUMENTS
D100,466 S * 7/1936 Dulany D11/201
4,000,544 A * 1/1977 Fildan A41C 3/02
24/312

1 Claim, 3 Drawing Sheets



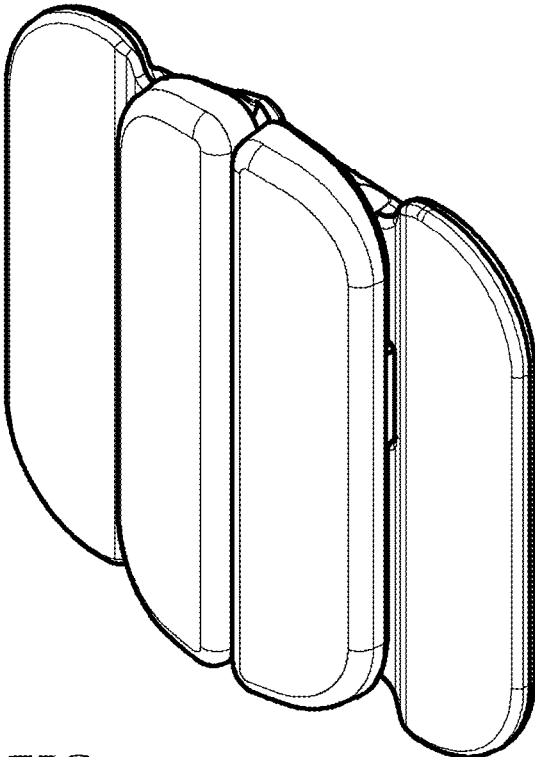


FIG. 1

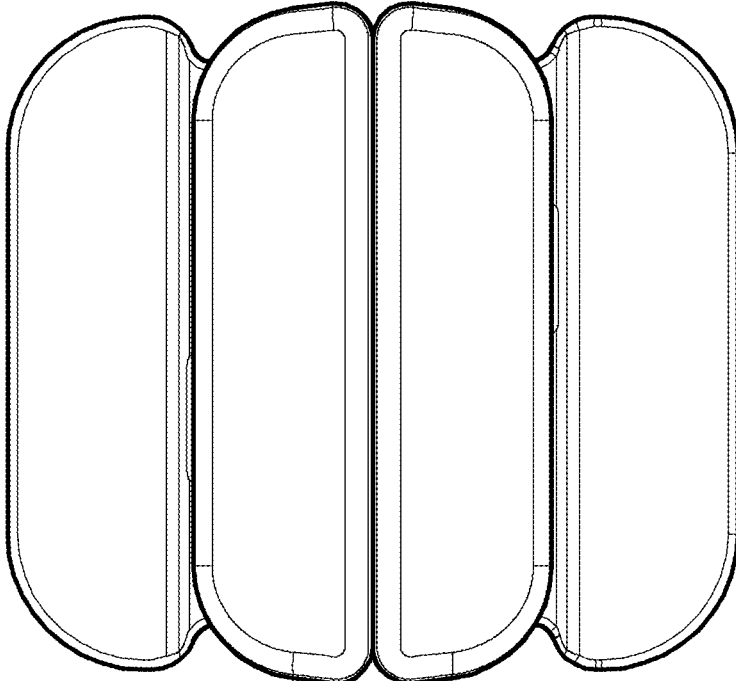


FIG. 2

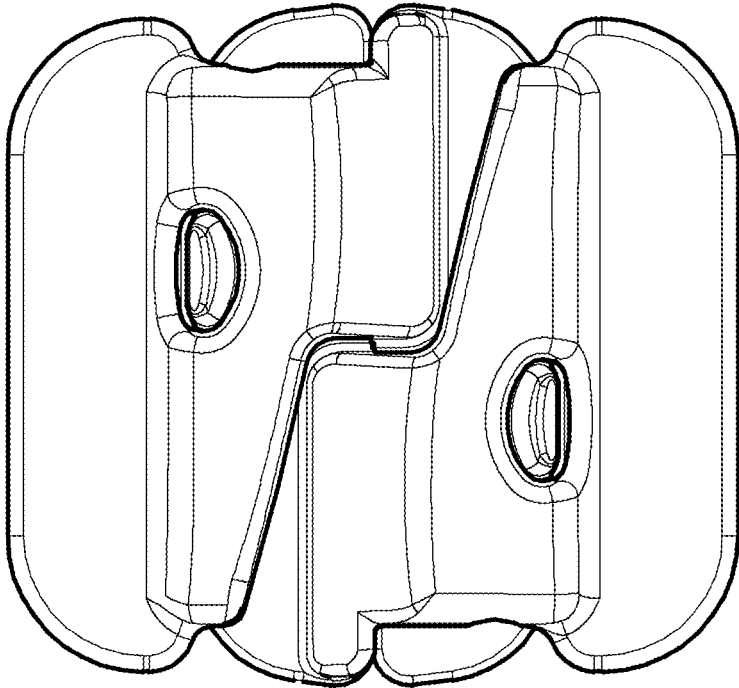


FIG. 3

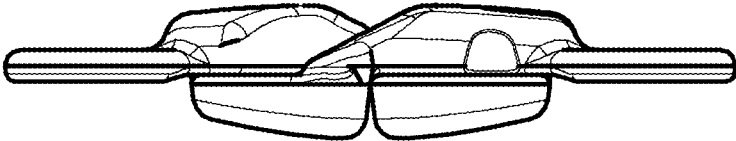


FIG. 4

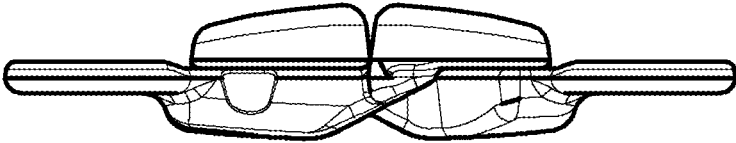


FIG. 5

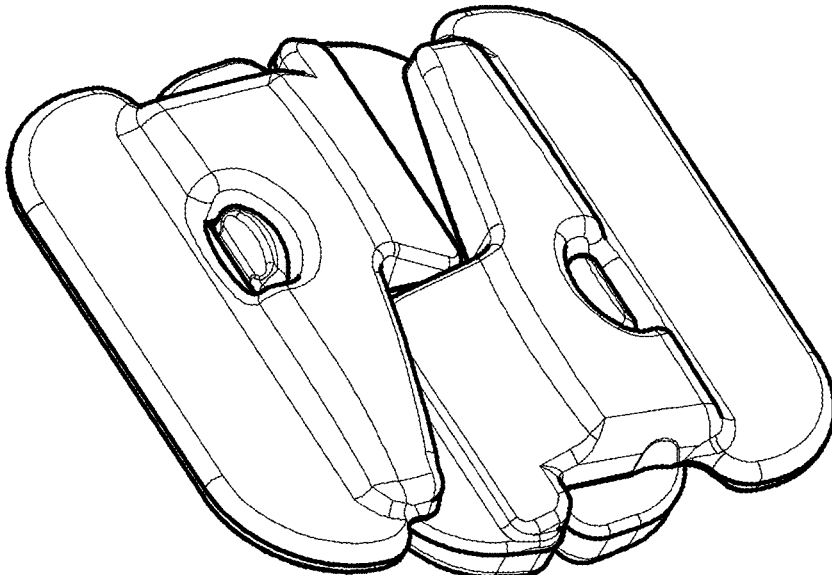


FIG. 6