

(12) **United States Design Patent**
Woehler et al.

(10) **Patent No.:** **US D756,043 S**
(45) **Date of Patent:** **** May 10, 2016**

(54) **ANIMAL RESTRAINING WRAP**
(71) Applicants: **Adam Charles Woehler**, Saint Louis, MO (US); **Sydney Kaye Woehler**, Saint Louis, MO (US)

D601,327 S * 10/2009 Anderson D2/825
D623,829 S * 9/2010 Dick D2/719
D691,781 S * 10/2013 Coates D2/719

(Continued)

(72) Inventors: **Adam Charles Woehler**, Saint Louis, MO (US); **Sydney Kaye Woehler**, Saint Louis, MO (US)

“Nylon Feline Restraint Bags”. Found online Nov. 23, 2015 at shopmedvet.com. Page dated Nov. 1, 2013. Retrieved from http://web.archive.org/.../www.shopmedvet.com/product/nylon-feline-restraint-bags-medium-bag/pet-grooming-restraints-harnesses-restraints.*

(**) Term: **14 Years**

(Continued)

(21) Appl. No.: **29/521,303**

(22) Filed: **Mar. 23, 2015**

Primary Examiner — Robert M Spear

Assistant Examiner — Kendra L Hamilton

(51) **LOC (10) Cl.** **30-01**

(74) *Attorney, Agent, or Firm* — Kintner IP, LLC; Mary Frances Ludwig

(52) **U.S. Cl.**

USPC **D30/144; D30/151**

(58) **Field of Classification Search**

USPC D30/144, 145, 151, 152, 153, 158, 199;
D24/190; D2/718, 719, 860, 861, 864;
119/174, 497, 712, 714, 725, 814, 815,
119/816, 821, 836, 850, 855, 856, 857, 863,
119/864, 865; 383/41, 42, 61.3, 78, 84;
602/62, 78; 54/80.1, 80.2, 80.3, 80.4,
54/80.5; 2/48, 69.5, 70

CPC A01K 13/006; A01K 1/0254
See application file for complete search history.

(57)

CLAIM

The ornamental design for an animal restraining wrap, as shown and described.

DESCRIPTION

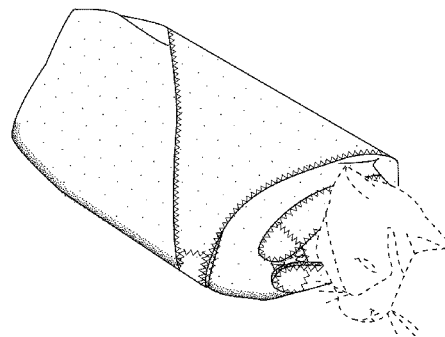
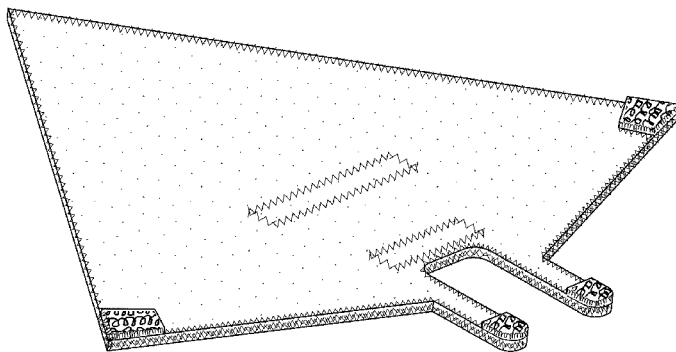
FIG. 1 is a top plan view of an animal restraining wrap showing our new design in its unwrapped position; FIG. 2 is a bottom plan view of the wrap of FIG. 1; FIG. 3 is a front perspective view of the wrap of FIG. 1; FIG. 4 is a front perspective view of the wrap, partially wrapped in a position of use; FIG. 5 is a front perspective view of the wrap, further partially wrapped in a position of use; FIG. 6 is a front perspective view of the wrap, fully wrapped in a position of use; FIG. 7 is an enlarged top plan view of the wrap, wrapped in a non-use position; and, FIG. 8 is an enlarged bottom plan view of the wrap of FIG. 7. Elements shown in broken lines form no part of the claimed design. Our animal restraining wrap is intended for use in restraining an animal to facilitate routine care, administering medical treatments, performing physical examinations, and the like.

(56) **References Cited**

U.S. PATENT DOCUMENTS

1,584,853 A * 5/1926 Dern A41B 13/06
2/69
2,242,641 A * 5/1941 Berger A41B 13/06
2/111
2,969,767 A * 1/1961 Bassett A01K 1/0254
119/497
3,693,190 A * 9/1972 Hickling A41B 13/06
2/69.5
D368,338 S * 3/1996 Levengood D30/144
6,341,397 B1 * 1/2002 Kliegl A41B 13/06
2/69.5
D513,357 S * 1/2006 Allard D2/718

1 Claim, 6 Drawing Sheets



(56)

References Cited

U.S. PATENT DOCUMENTS

D693,971	S *	11/2013	Daugherty	D30/158
2011/0231993	A1 *	9/2011	Schmid	A41B 13/06 5/494
2015/0114312	A1 *	4/2015	Cacopardo	A01K 13/006 119/850

OTHER PUBLICATIONS

“Top Performance Cat Grooming Bag”. Found online Nov. 23, 2015 at amazon.com. Page dated Feb. 25, 2009. Retrieved from http://www.amazon.com/Top-Performance-Nylon-Grooming-Large/dp/B001VP61N8/ref=cm_cr_pr_product_top?ie=UTF8.*

* cited by examiner

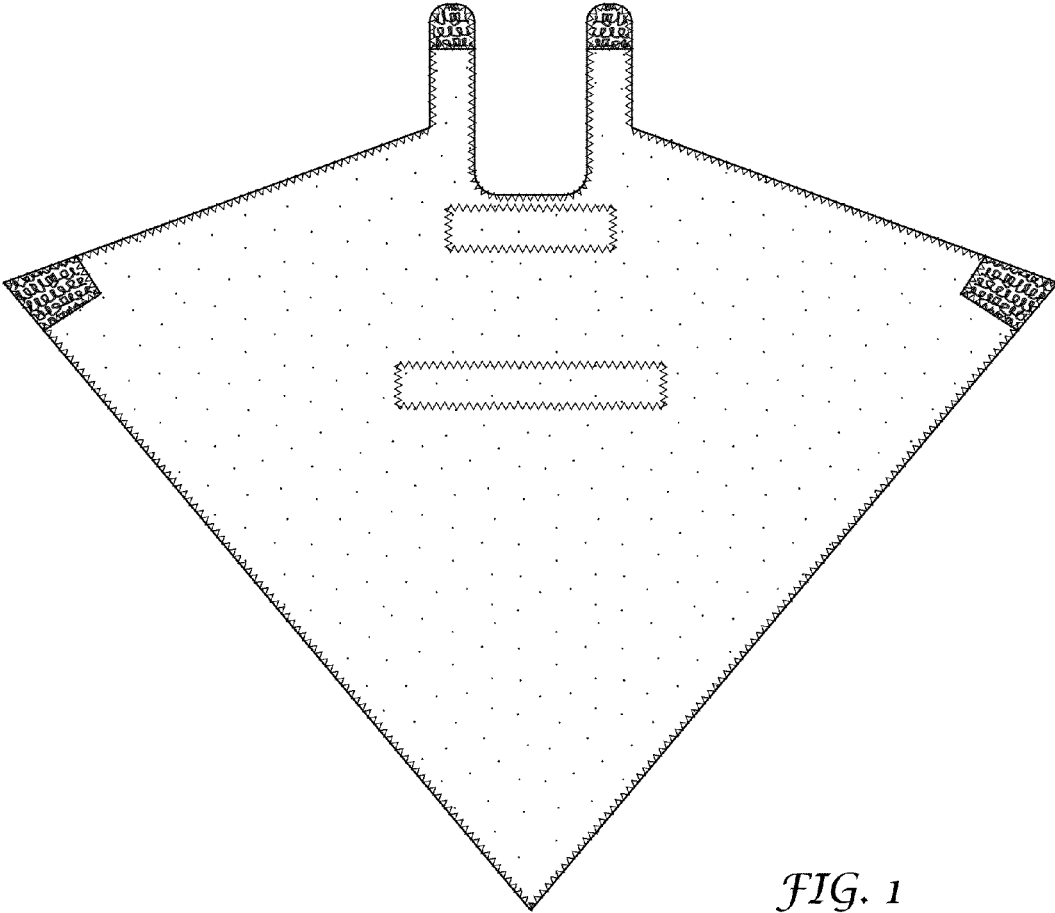


FIG. 1

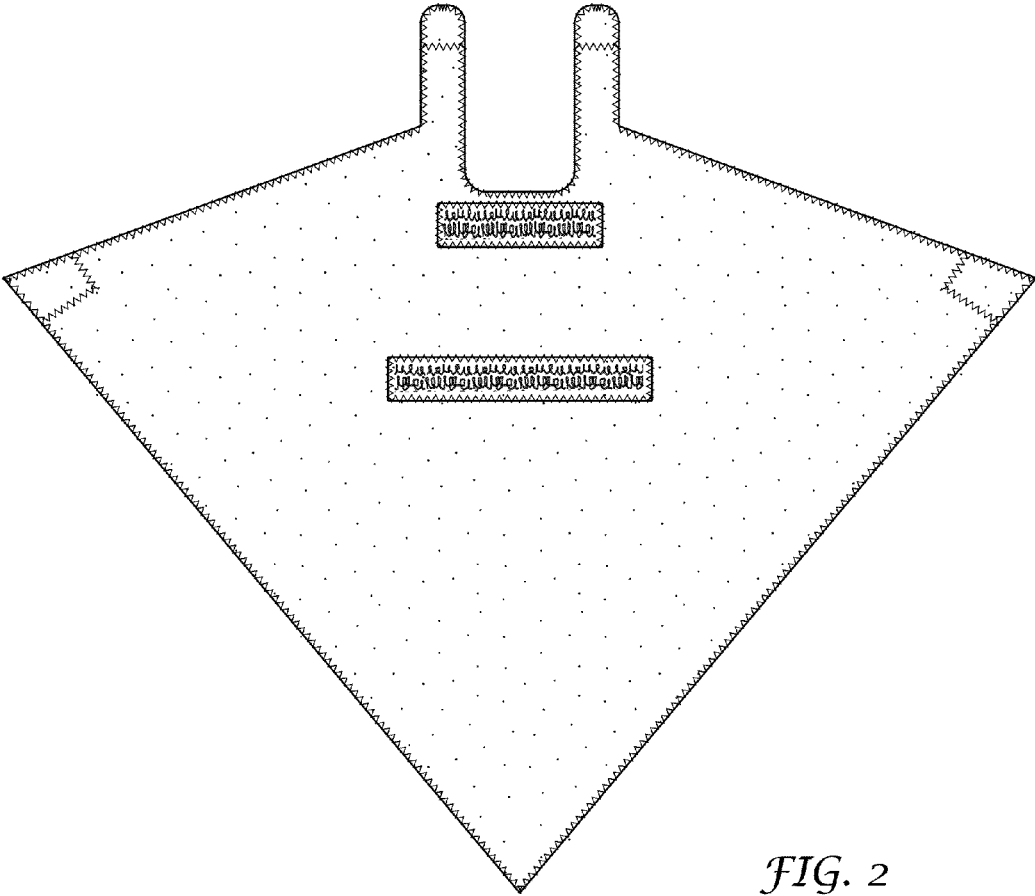


FIG. 2

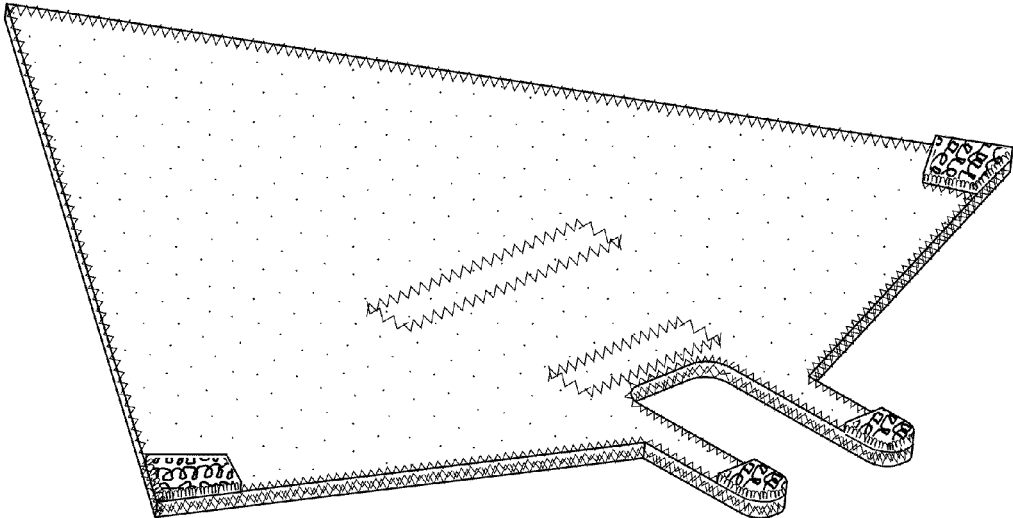


FIG. 3

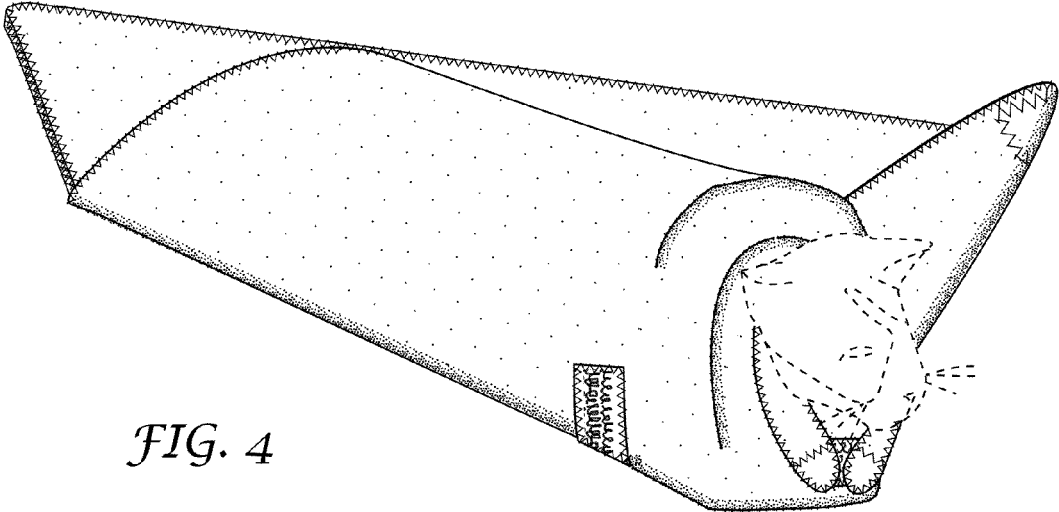


FIG. 4

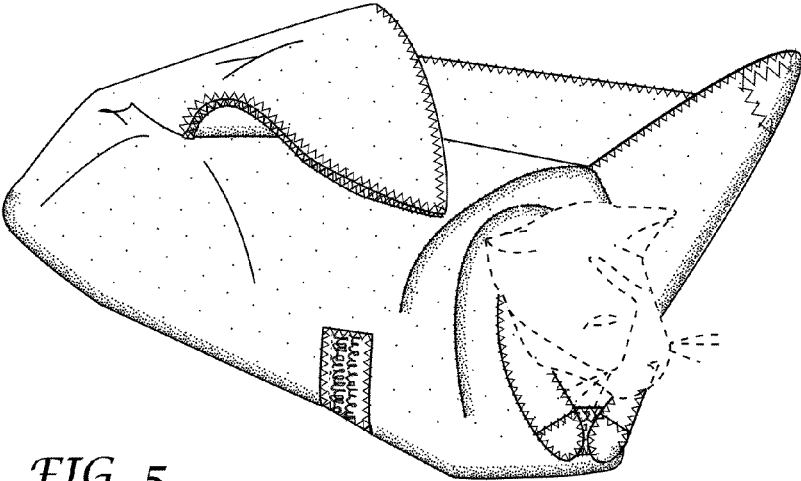


FIG. 5

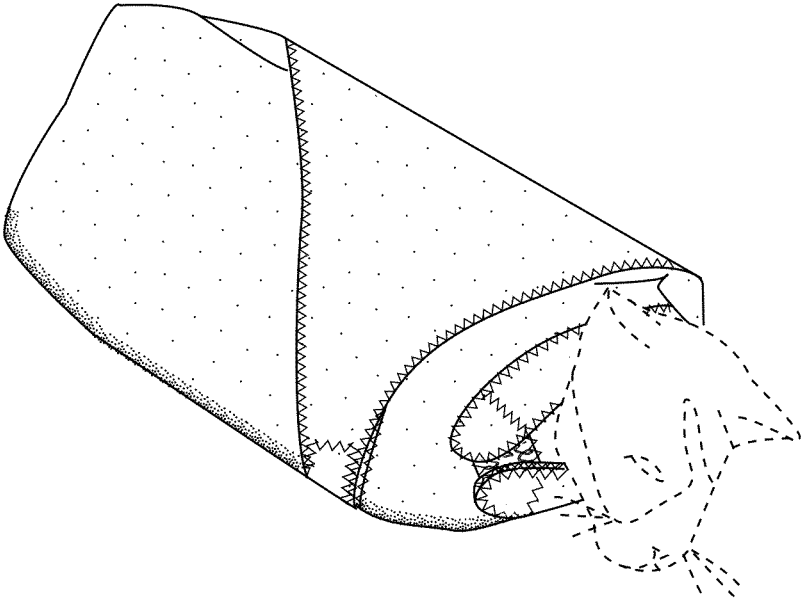


FIG. 6

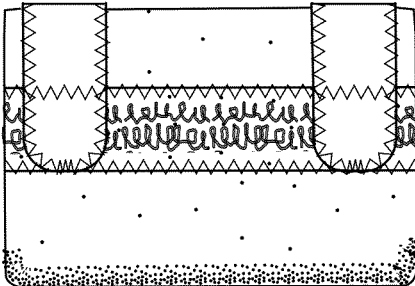


FIG. 7

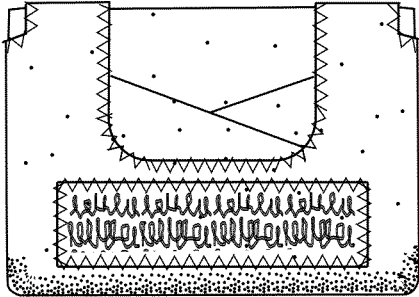


FIG. 8