



US00D732422S

(12) **United States Design Patent**
Fildan et al.

(10) **Patent No.:** **US D732,422 S**

(45) **Date of Patent:** **** Jun. 23, 2015**

(54) **TRIANGULAR GARMENT CLOSURE**

(71) Applicants: **Gerhard Fildan**, Vienna (AT); **Karl Wanzenböck**, Teesdorf (AT)

(72) Inventors: **Gerhard Fildan**, Vienna (AT); **Karl Wanzenböck**, Teesdorf (AT)

(73) Assignee: **Dubrosky & Tracy Patent Service Corp.**, Central (HK)

(**) Term: **14 Years**

(21) Appl. No.: **29/496,567**

(22) Filed: **Jul. 15, 2014**

(51) **LOC (10) Cl.** **02-07**

(52) **U.S. Cl.**
USPC **D11/200**

(58) **Field of Classification Search**

USPC D11/1-2, 200-201, 206-210, 214-218;
24/163 R, 169-171, 173, 177-179, 191,
24/194-195, 197, 200, 614-616, 625, 198,
24/578.11, 578.1, 163 K, 114, 455, 573.11,
24/598.2; D8/394, 395

CPC A44B 11/00; A44B 11/25; A44B 21/00;
A44B 17/00

See application file for complete search history.

(56) **References Cited**

U.S. PATENT DOCUMENTS

5,940,944 A * 8/1999 Anscher 24/598.2
D620,281 S * 7/2010 Schmid D6/466

D713,287 S * 9/2014 Fildan et al. D11/200
D713,288 S * 9/2014 Fildan et al. D11/200
D713,289 S * 9/2014 Fildan et al. D11/200
D713,290 S * 9/2014 Fildan et al. D11/200
D713,291 S * 9/2014 Fildan et al. D11/200
D714,679 S * 10/2014 Fildan et al. D11/200

* cited by examiner

Primary Examiner — Ralf Seifert

(74) *Attorney, Agent, or Firm* — Kintner IP, LLC; Mary Frances Ludwig

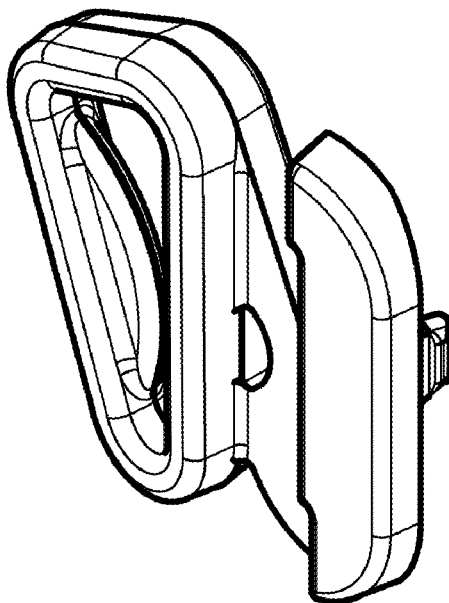
(57) **CLAIM**

The ornamental design for a triangular garment closure, as shown and described.

DESCRIPTION

FIG. 1 is a front elevation view of a first embodiment of a triangular garment closure showing our new design; FIG. 2 is a side elevation view of the FIG. 1 embodiment; FIG. 3 is a top plan view of the FIG. 1 embodiment; FIG. 4 is a rear elevation view of the FIG. 1 embodiment; FIG. 5 is a perspective view of the FIG. 1 embodiment; FIG. 6 is a front elevation view of a second embodiment of the triangular garment closure; FIG. 7 is a side elevation view of the FIG. 6 embodiment; FIG. 8 is a top plan view of the FIG. 6 embodiment; FIG. 9 is a rear elevation view of the FIG. 6 embodiment; and, FIG. 10 is a perspective view of the FIG. 6 embodiment. Our triangular garment closure is intended for use with lingerie, brassieres, and the like.

1 Claim, 4 Drawing Sheets



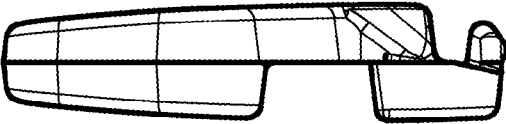


FIG. 3

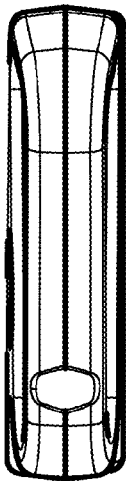


FIG. 2

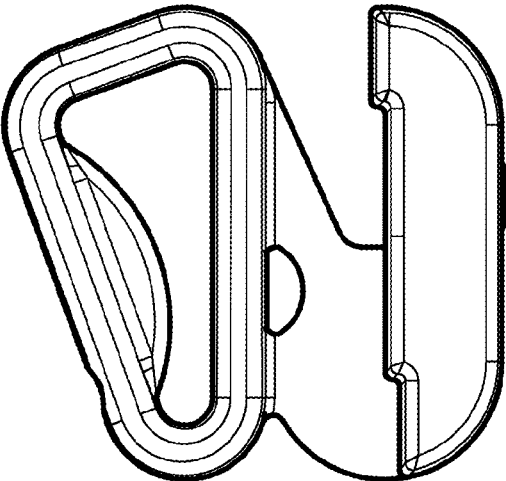


FIG. 1

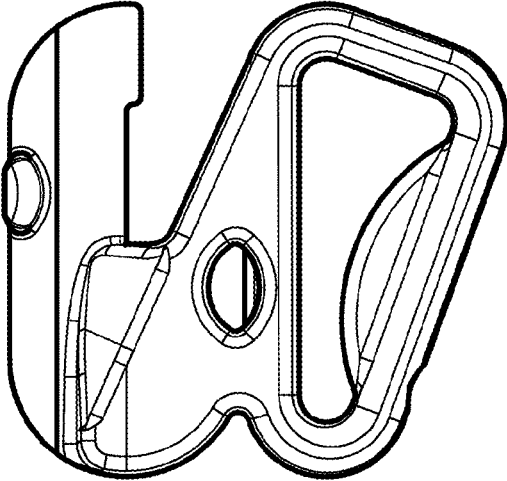


FIG. 4

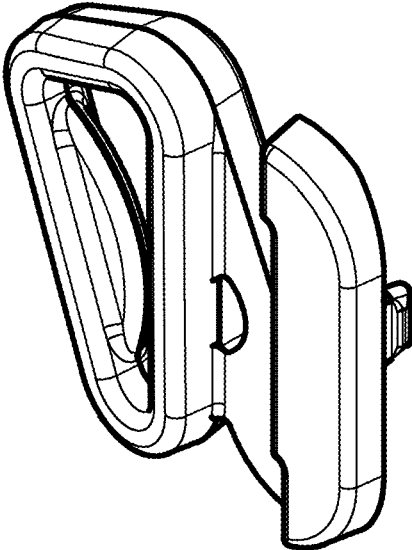


FIG. 5



FIG. 8

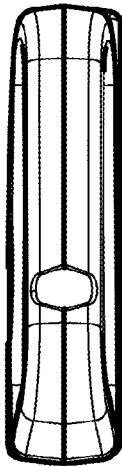


FIG. 7

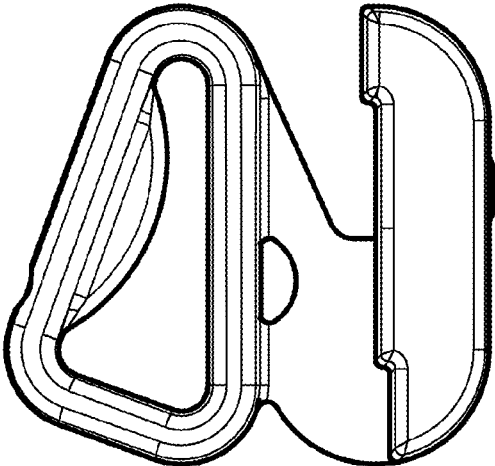


FIG. 6

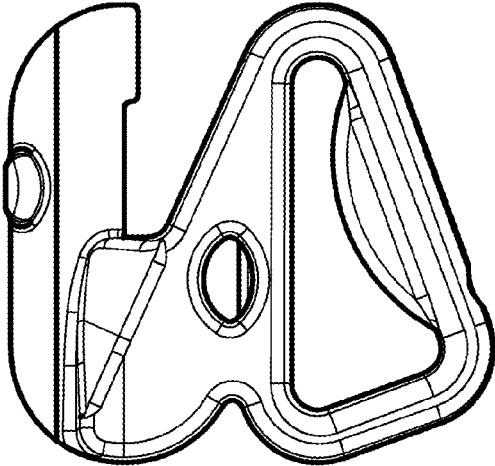


FIG. 9

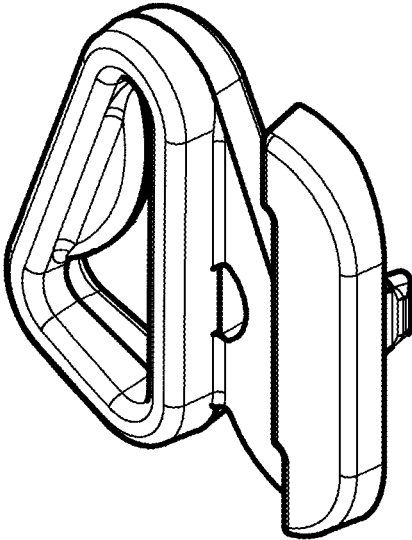


FIG. 10